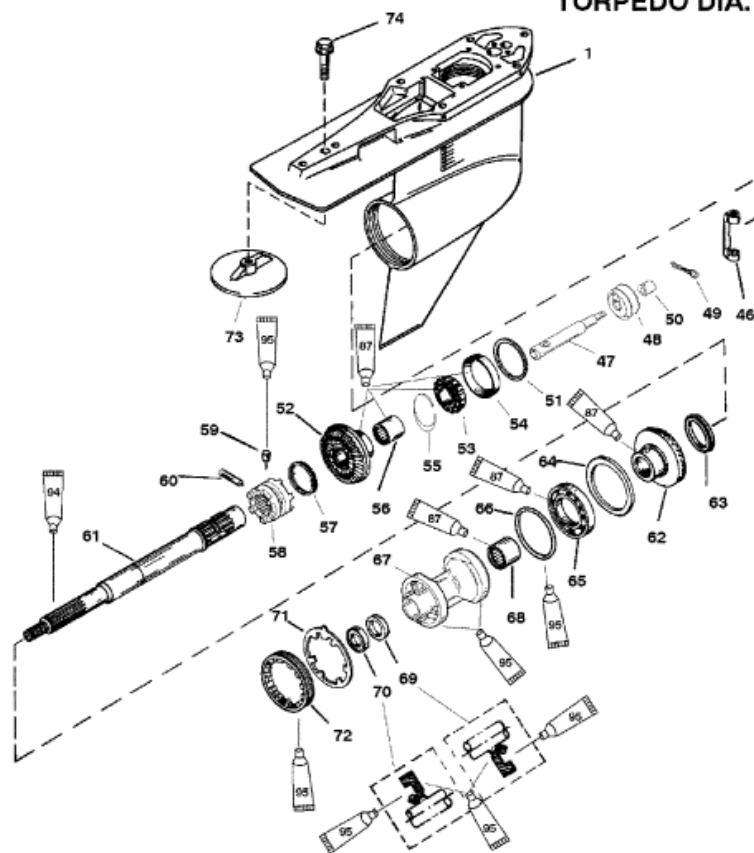

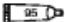


**4.75 IN/120.65MM
 TORPEDO DIA.**



-  Super Duty Gear Lubricant (92-13783A24)
-  Anti-Corrosion Grease (92-78376A6)
-  2-4-C With Teflon (92-825407A12)

19094

Parts List

Ref	Class	Part	Description	Qty	Comment	Footnote
1	1623	822442A83	GEAR HOUSING	1	(BLACK-BASIC)	
1	1623	822442A84	GEAR HOUSING	1	(GRAY-BASIC)	
46		823903	SHIFT CRANK	1		
47		19755A 7	SPOOL ASSEMBLY	1		
48		NSS	NOT SOLD SEPARATE, Shift Sp	1		
49		NSS	NOT SOLD SEPARATE, Cotter F	1		
50		NSS	NOT SOLD SEPARATE, Sleeve	1		
51	15	44491A 1	SHIM SET	AR		
52	43	828168A 2	FORWARD GEAR	1	(1.75:1 - 12/21)	
53	31	30894A 1	BEARING SET, Cup And Cone	1		
54		NSS	NOT SOLD SEPARATE, Cup	1		
55	53	856823	RING, Retaining	1		
56	31	30895	ROLLER BEARING	1		
57	24	30893	SPRING	1		
58	52	828288	SLIDING CLUTCH	1		
59	17	828356	PIN, Detent	1		
60	17	30632	PIN, Cross	1		
61	44	824110	PROPELLER SHAFT	1		
62	43	828169A 1	REVERSE GEAR	1	(1.75:1 - 12/21)	
63	23	824108	SPACER	1		
64		68100 1	RING, Thrust	1		
65	30	88957	BEARING ASSEMBLY, Ball	1		
66	25	31534	O-RING	1		6
67		818763A11	BEARING CARRIER	1		
68	31	30956	ROLLER BEARING	1		
69	26	14077	SEAL, Oil (INSIDE)	1		6
70	26	76868	SEAL (OUTSIDE)	1		6
71	14	18323	TAB WASHER	1		
72		79448	RETAINER	1		
73		76214A 5	TRIM PLATE	1		
74	10	806327	SCREW, (.437-14 x 1.750)	1		
-	26	816575A 4	GEAR HOUSING SEAL KIT	1		